



Quench 555-T

High-Capacity Sparkling Water Dispenser

- Cold and room temperature filtered water
- Chilled sparkling water
- Tap dispensing
- Ice bank cooling technology
- Space-saving countertop design



water up



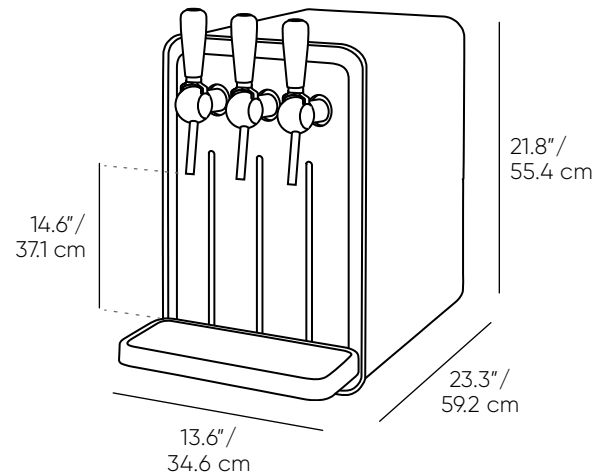
Quench 555-T

Upgrade your commercial capacity filtered water dispenser with sparkling water! The Quench 555-T is a contemporary commercial grade filtered still and sparkling water dispensing system. The Quench 555-T offers a large dispensing area with tap dispensing, perfect for quick-filling large glasses and carafes. The Quench 555-T has a cooling capacity of 20 gallons/75.8 liters per hour – that’s six 8 oz. glasses every minute!



High-Capacity Sparkling Water Dispenser

- Cold and room temperature filtered water
- Chilled sparkling water
- Ice bank cooling technology
- Tap dispensing
- Dispensing height of 14.6"/37.1 cm to accommodate large glasses or carafes
- Safety inlet valve for quick shut-off
- Attractive stainless steel case



Specifications

Dimensions	21.8" h x 13.6" w x 23.3" d / 55.4 cm h x 34.6 cm w x 59.2 cm d
Dispensing Height	14.6" / 37.1 cm
Weight	77 lbs
Water Options	Cold, room temperature, sparkling
Cooling Capacity	20 gallons per hour / 75.8 liters per hour
Cooling Technology	Ice bank
Operating CO ₂ Pressure	50 - 60 psi
Recommended Water Pressure	50 - 80 psi
Rated Voltage/Frequency	115V/60Hz
Power Consumption	330 W - 3.2 Amps
Model Number	555-T

Quench products are certified by independent authorized 3rd party laboratories in accordance of appropriate industry standards. To find out more about which certification your product may have, please contact us.